

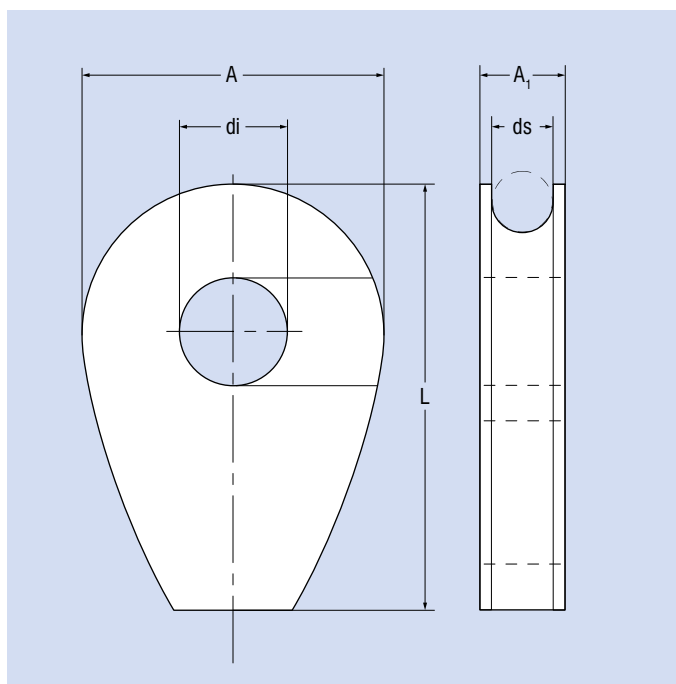


### Technical data

Material Cast iron  
Surface zinc-plated

### Application area

Round strand rope pressed acc. to EN 13411-3



Don't use non-rotation resistant and rotation resistant ropes with a turnable fixed point (e. g. swivel). The end termination has to be fixed against rotation as well. If this is not observed considerable damage, serious injury or death will occur.

Reference no.	NG	RW	A	A <sub>1</sub>	di	di <sub>max</sub>	L	Weight
		mm	mm	mm	mm	mm	mm	kg
111411	8	8	40	15	14	20	66	0,2
111414	10	10	50	17,5	18	25	82	0,3
111422	12	12	60	20	21	30	98	0,5
111425	14	14	70	23,5	25	35	114	0,7
111432	16	16	80	26	28	40	130	0,8
111437	18	18	90	28,5	31	45	145	1,1
111443	20	20	100	31	35	50	161	1,4
111450	22	22	110	33,5	38	55	177	1,8
111453	24	24	120	36	41	60	193	2,3
111459	26	26	130	39,5	44	65	209	3
111466	28	28	140	42	47	70	224	3,7
111472	32	32	160	47	53	80	256	5,3
111480	36	36	180	53	59	90	288	7,5
111488	40	40	200	58	65	100	320	10,4

Nominal size = max. rope diameter

Dimensions correspond to nominal sizes without tolerance and without coating. Please contact us for exact measurements!