



Technical data

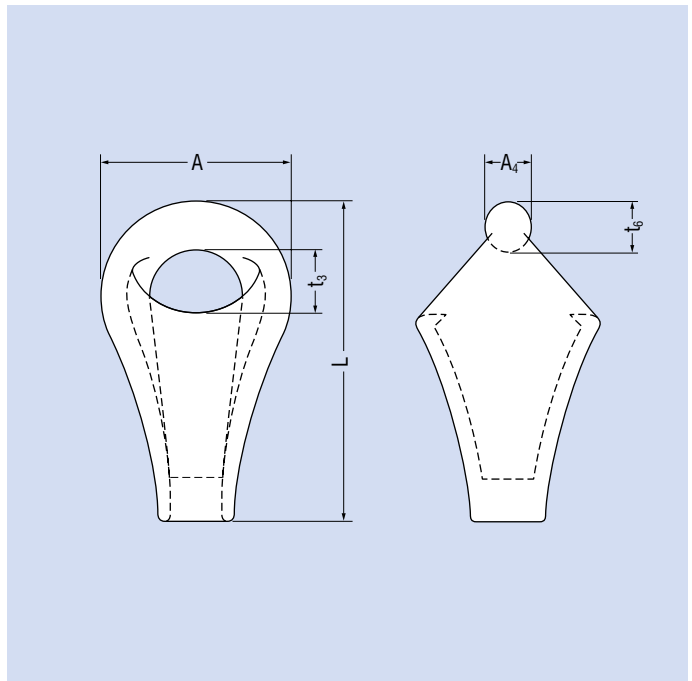
Material	Cast steel (cold resistant to $-20\text{ }^{\circ}\text{C}$)
Surface	Plain
Nominal tensile strength	$\leq 2160\text{ N/mm}^2$

Application area

Round strand ropes

Combination products

Quick connecting link Nemag 548



Don't use non-rotation resistant and rotation resistant ropes with a turnable fixed point (e. g. swivel). The end termination has to be fixed against rotation as well. If this is not observed considerable damage, serious injury or death will occur.

Reference no.	NG	ds mm	A mm	A ₄ mm	L mm	t ₃ mm	t ₆ mm	MBL kN	WLL kN	Weight kg
214697	13	12 – 13	56	13,5	95	22	15,5	137,2	20,6	0,4
214698	15	14 – 15	64	15,5	109	24	17,5	171,6	24,5	0,6
256357	17	16 – 17	70	17,5	123	26	19,5	220,65	29,42	0,9
235701	19	18 – 19	84	19	135	30	21	269,7	44,1	1,3
235702	21	20 – 21	84	21	152	33	23	343,2	49	1,5
214699	24	22 – 24	100	23	166	37	26	416,8	68,7	2,2
199006	27	25 – 27	100	25	186	39	28	514,9	78,4	2,4
214700	30	28 – 30	120	27	202	40	31	686,5	107,9	3,7
235711	33	31 – 33	120	28,5	222	45	32	833,6	127,5	4,1
178084	36	34 – 36	142	31,5	239	50	36	931,6	147,1	5,9
166045	39	37 – 39	142	34,5	264	51	39	1078,7	166,7	6,7
171867	42	40 – 42	166	36,5	285	59	43	1225,8	205,9	9,3
171015	45	43 – 45	166	40	312	62	47	1520	254,8	10,5
167178	48	46 – 48	170	44	337	66	51	1765,2	294,2	12,5

The working load is the recommended maximum load for grabbing operations when Quick Release Links and Rope Pear Sockets are passing over a special cable sheave. For other applications a safety factor in line with official international and national guidelines has to be adhered to.

Dimensions correspond to nominal sizes without tolerance and without coating. Please contact us for exact measurements!