

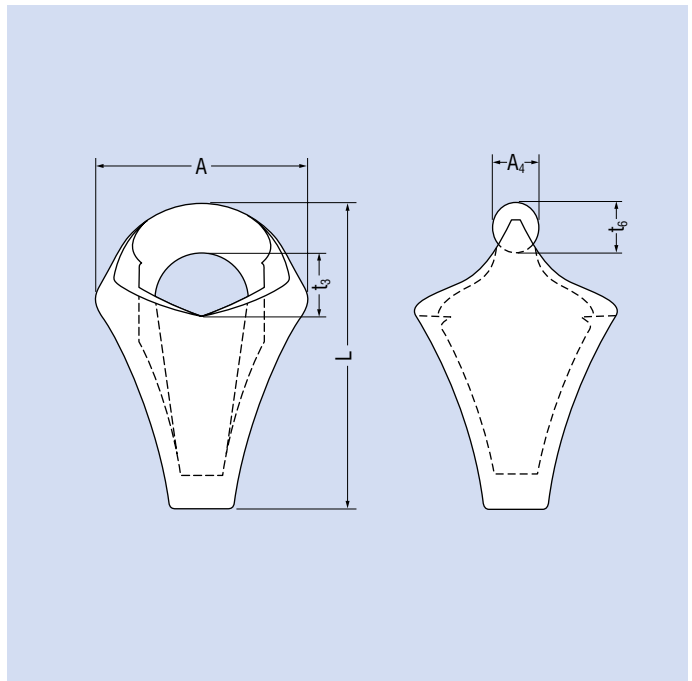


### Technical data

Material	Cast steel (cold resistant to $-20\text{ °C}$ )
Surface	Plain
Nominal tensile strength	$\leq 2160\text{ N/mm}^2$

### Combination products

Quick connecting link Nemag 548



Don't use non-rotation resistant and rotation resistant ropes with a turnable fixed point (e. g. swivel). The end termination has to be fixed against rotation as well. If this is not observed considerable damage, serious injury or death will occur.

Reference no.	NG	ds	A	A <sub>4</sub>	L	t <sub>3</sub>	t <sub>6</sub>	WLL	MBL	Weight
		mm	mm	mm	mm	mm	mm	kN	kN	kg
207297	24	22 – 24	133	27	192	40	31	107,9	686,5	4
207299	27	25 – 27	143	30,5	212	43	35	127,5	833,57	5
207300	30	28 – 30	156	31,5	239	50	36	147,1	931,63	7
207301	33	31 – 33	165	34,5	249	57	39	167,7	1078,7	8,5
207302	36	34 – 36	184	36,5	257	60	43	205,9	1225,8	9,5
207303	40	37 – 40	192	40	297	62	47	255	1520	12
207305	44	42 – 44	204	46	314	70	53	318,7	1853,5	13,5
207306	48	46 – 48	192	44	329	66	51	294,2	1765,2	12,5

MBL = minimum breaking load

The working load is the recommended maximum load for grabbing operations when Quick Release Links and Rope Pear Sockets are passing over a special cable sheave.

**Dimensions correspond to nominal sizes without tolerance and without coating. Please contact us for exact measurements!**