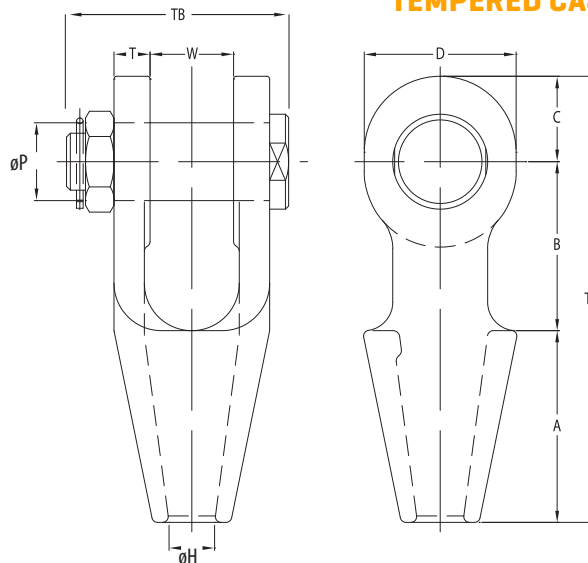


OPEN SPELTER SOCKETS WITH BOLT AND NUT

QUENCHED AND TEMPERED CAST STEEL



Model nr.	MBL (Mtons)	for wire ø		Strand ø		Dimensions (mm)										Weight (kg)
		(mm)	(inch)	(mm)	(inch)	A	B	C	D	øH	øP	T	TL	TB	W	
OSS 196 B	8	6-7	1/4	-	-	50	40	19	34	9	16	9	109	62	19	0,5
OSS 197 B	12	8-10	3/8	-	-	57	45	22	42	13	21	11	124	75	21	0,8
OSS 198 B	20	11-13	7/16-1/2	-	-	64	51	27	50	15	25	12	142	80	25	1,1
OSS 199 B	25	14-16	9/16-5/8	13	1/2	76	63	32	58	18	30	14	171	96	32	1,9
OSS 100 B	40	18-19	3/4	14-16	9/16-5/8	89	76	40	70	22	35	16	205	107	38	3,1
OSS 104 B	55	20-22	7/8	18-19	3/4	101	89	45	80	25	41	19	235	123	44	4,7
OSS 108 B	75	23-26	1	20-22	7/8	114	101	60	104	29	51	22	275	138	51	8
OSS 111 B	90	27-30	1 1/8	23-26	1	127	114	65	114	33	57	25	306	160	57	12
OSS 115 B	125	31-36	1 1/4-1 3/8	27-28	1 1/16-1 1/8	139	127	72	126	39	63	28	338	165	63	16
OSS 118 B	150	37-39	1 1/2	30-32	1 3/16-1 1/4	152	162	80	142	42	70	30	394	199	76	23
OSS 120 B	170	40-42	1 5/8	33-35	1 5/16-1 3/8	165	165	88	156	45	76	33	418	209	76	28
OSS 125 B	225	43-48	1 3/4-1 7/8	36-40	1 7/16-1 5/8	191	178	100	176	52	89	39	469	237	89	43
OSS 128 B	280	49-54	2-2 1/8	42-45	1 5/8-1 3/4	216	228	108	194	59	95	45	552	263	101	62
OSS 130 B	360	55-60	2 1/4-2 3/8	46-48	1 13/16-1 7/8	229	254	120	210	64	108	53	603	298	113	90
OSS 132 B	425	61-68	2 1/2-2 5/8	50-54	2-2 1/8	248	273	133	236	75	121	60	654	330	127	123
OSS 135 B	460	69-75	2 3/4-2 7/8	56-62	2 1/4-2 1/2	279	279	138	240	81	127	73	696	359	133	159
OSS 138 B	560	76-80	3-3 1/8	64-67	2 1/2-2 5/8	305	286	146	252	88	133	76	737	380	146	190
OSS 140 B	625	81-86	3 1/4-3 3/8	69-76	2 3/4-3	330	298	160	290	92	140	79	788	397	159	230
OSS 142 B	720	87-93	3 1/2-3 5/8	78-86	3 1/16-3 3/8	356	318	178	320	99	152	83	852	419	171	287
OSS 144 B	875	94-102	3 3/4-4	88-96	3 7/16-3 3/4	381	343	190	350	108	178	89	914	451	191	377
OSS 146 B	1200	108-115	4 1/4-4 1/2	98-110	3 7/8-4 1/16	450	480	215	400	129	195	100	1145	506	205	548
OSS 150 B	1400	120-130	4 3/4-5	112-124	4 7/16-4 7/8	500	500	250	450	147	220	110	1250	546	225	766
OSS 155 B	1600	135-140	5 1/4-5 1/2	125-132	4 15/16-5 3/16	540	497	263	480	157	240	140	1300	623	230	1081
OSS 160 B	2000	142-153	5 3/4-6	133-143	5 1/4-5 5/8	585	505	275	500	171	255	140	1365	655	250	1200
OSS 165 B	2220	154-165	6 1/4-6 1/2	144-154	5 11/16-6 1/4	630	530	300	550	185	275	150	1460	685	260	1474
OSS 170 B	2500	166-178	6 3/4-7	155-166	6 1/4-6 3/4	680	570	310	570	199	295	150	1560	715	280	1655
OSS 175 B	2800	180-191	7 1/4-7 1/2	167-179	6 9/16-7 1/16	725	600	325	600	213	310	155	1650	750	300	1956
OSS 180 B	3200	192-204	7 3/4-8	180-191	7 1/4-7 1/2	775	620	345	640	229	330	160	1740	790	320	2303

MBL = Minimum Breaking Load

- The standard finish of our sockets is blue. Hot dipped galvanized is also available.
- Socket range OSS 196 until OSS 100 is delivered with galvanized finish, other finishes are available upon request.
- All sockets are provided with an EN 10204-2.1 declaration of conformity, EN 10204-3.1 material certificate and can be provided with a 2006/42/EC declaration where applicable.
- Dimensional tolerances depend on the manufacturing techniques applied and are different between machined components (pins) and cast components (socket bodies and wedges).
- Also surface finish e.g. hot dip galvanizing or even paint may add to the overall thickness and fork distance.
- Please contact Ropeblock for further guidance and a detailed dimensional tolerance sheet.



SEE OUR WARNING & SAFETY INFORMATION